

S T O B A G

# CASABOX

Slim box awning in  
an elegant design.



# CASABOX BX2000



Square design



Round design

- Sealed box protects from the elements
- Various mounting options to the wall, below the ceiling or to the frames
- Simple and proven installation system for hanging
- Awning incline adjustable to 90° depending on installation
- Choice of square or round drop profile
- Optional cover profile for fittings
- Optional wall joint profile prevents rain water entering between façade and awning



min. 188 cm  
max. 550 cm\*



min. 160 cm  
max. 300 cm\*

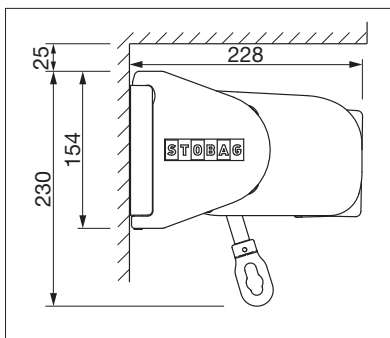
\*max. 500 cm wide × 300 cm projection  
\*max. 550 cm wide × 250 cm projection



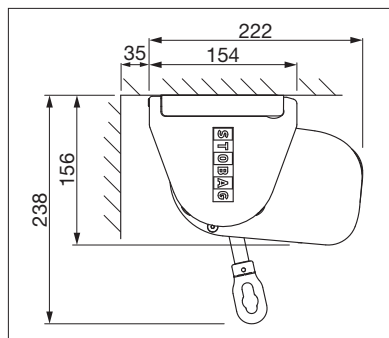
The wind resistance class can vary depending on version and dimension.



Technical dimensions in millimetres



Wall installation, square design



Top installation, round design



REGISTRATION  
REQUIRED



## COLORS

Discover the diverse options when selecting frame colours.



## FABRICS

Choose from a comprehensive range of materials and colours.



## ELECTRICS

More convenience thanks to the automated control and lighting systems.

More information at [www.stobag.com](http://www.stobag.com)