

STOBAG

VENTOSOL

Vertical shading with ZIP system
for optimum fabric tension.



VENTOSOL VS/VD5100 | VS/VD5200 | VS6100 | VS6200 | VS/VM



ZIP system



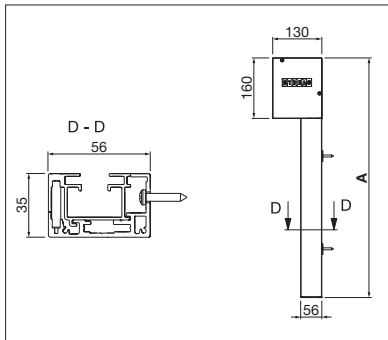
VS5400 Horizontal awning



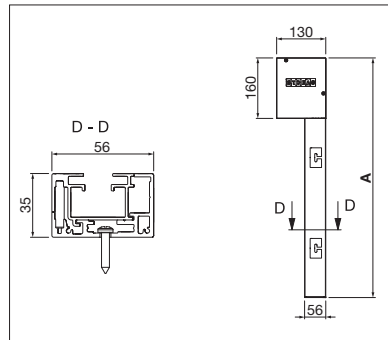
VS6100, VS6200 semicircular

- Fabric protected in the box
- Suitable for many uses with its rounded or square box
- Maximum stability of the cover guidance system thanks to the ZIP system (zip fastener technology)
- No light can creep in between the cover and guide rail (ZIP system)
- Very high wind stability
- Drop profile recessed into the box (VS6100 / VS6200 / VM720/3)
- Wall mounting possible with fixing brackets or direct screw connection
- Mounting to soffit possible using direct screw connection
- Service-friendly due to 2-piece or 3-piece protective box (VS5600 / VS6100 / VS6200)
- Different fabrics enable clear view despite shading, or even complete darkening
- For indoor use thanks to the counterweight system for horizontal applications (VS5400)
- Can also be used as a screen for outside and inside (suitable cover required)
- No fluttering of the cover or excessive noise emission
- Insects are kept out

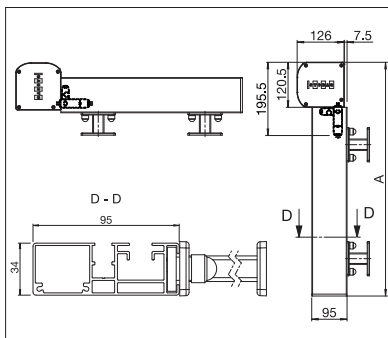
Technical dimensions in millimetres



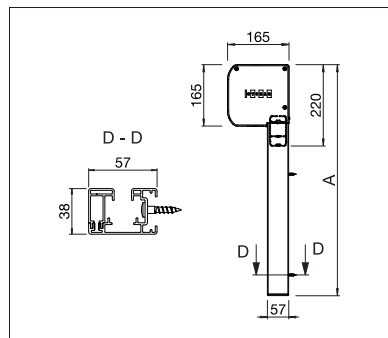
VS6200 Wall mounting with direct screw connection



VS6200 Soffit mounting



VS/VD5400 Mounting with fastening brackets



VS/VD5600 Wall mounting with direct screw connection



REGISTRATION REQUIRED



EN 13561



VS6100, VS6200 square



Darkening using blockout fabric

VS/VD5100

	min. 75 cm max. 400 cm
	min. 50 cm max. 350 cm*

*max. 12 m² cover area



VS/VD5200

	min. 75 cm max. 500 cm
	min. 50 cm max. 500 cm



VS6100

	min. 75 cm max. 400 cm
	min. 50 cm max. 300 cm*

*max. 12 m² cover area



VS6200

	min. 75 cm max. 500 cm
	min. 50 cm max. 500 cm



VS/VD5400

	min. 90 cm max. 300 cm
	min. 85 cm max. 400 cm



VS/VD5600

	min. 95 cm max. 600 cm*
	min. 95 cm max. 700 cm*

*max. 30 m² cover area



VM720/3

	min. 85 cm max. 700 cm
	min. 50 cm max. 300 cm



COLORS

Discover the diverse options when selecting frame colours.



FABRICS

Choose from a comprehensive range of materials and colours.








ELECTRICS

More convenience thanks to the automated control and lighting systems.



OPTIMUM ROOM CLIMATE FOR EXTRA LIVING COMFORT.

		Max. width	Max. height																
				Wall fixing	Top fixing	Soffit fixing	Wall fixing with mounting brackets	Wall mounting with direct screw connection	Box	Wire rope guide	Rod guide	Aluminium guide rail	Service flap	Linking systems together	Horizontal use	Square or round design options	LUNERO blackout fabric	Gear unit with wall breakthrough	Motor / Gearbox
VERTICAL AWNINGS WITH ZIP SYSTEM  																			
VENTOSOL	VS/VD5100	² 400	^{1/2} 350	+	-	•	+	+	•	-	-	•	-	-	-	+	+	+	•/+
	VS/VD5200	500	500	+	-	•	+	+	•	-	-	•	-	-	-	-	+	+	•/+
	VS6100	400	² 300	•	-	•	+	•	•	-	-	•	•	-	-	•	+	+	•/+
	VS6200	500	500	•	-	•	+	•	•	-	-	•	•	-	-	•	+	+	•/+
	VS/VD5400	300	400	+	-	•	+	+	•	-	-	•	-	-	•*	-	+	-	•/-
	VS/VD5600	³ 600	³ 700	+	-	•	+	•	•	-	-	•	•	-	-	+	+	-	•/-
	VM720/3	700	300	+	-	•	+	+	•	-	-	•	-	-	-	-	-	-	•/-
• STANDARD + OPTIONAL - NOT POSSIBLE ALL DIMENSIONS IN CM SUBJECT TO CHANGE WITHOUT PRIOR NOTIFICATION																			
Restriction of dimensions possible.		1 Possible as from 326 cm wide max. 225 cm height					2 Max. 12 m ² cover area					3 Max. 30 m ² cover area					* For indoor use		