

STOBAG

RESOBOX

Box awnings for over
70 m² of shading.



RESOBOX BX8000



Patented box connection



Drop down valance



Roller tube blind

- Box awnings for large terraces to 18 m total width and 4 m projection
- Patented, modular box connection system ensures optimum stability
- Flexible bracket positioning
- Awning incline adjustable from 0° to 40°
- Stylish and extremely robust folding arms
- Optional cover to hide cover roller shaft
- Optional Drop down valance: Acrylic cover to max. 120 cm and Soltis 86/Soltis 92 to max. 170 cm high. Improved winding thanks to the floating system (floating roller).



min. 200 cm
max. 1800 cm*



min. 150 cm
max. 400 cm

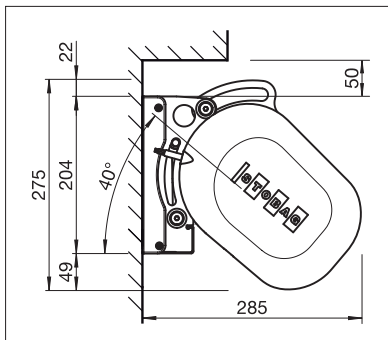
* with Drop down valance to max. 1400 cm wide; over 700 cm two-piece



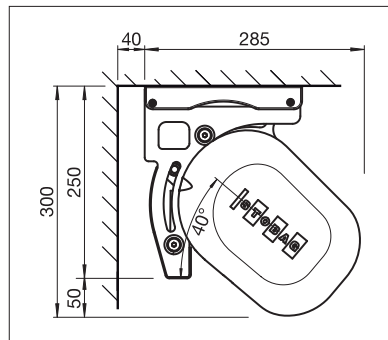
The wind resistance class can vary depending on version and dimension.



Technical dimensions in millimetres



Wall installation



Top installation



REGISTRATION
REQUIRED



COLORS

Discover the diverse options when selecting frame colours.



FABRICS

Choose from a comprehensive range of materials and colours.



ELECTRICS

More convenience thanks to the automated control and lighting systems.

More information at www.stobag.com