

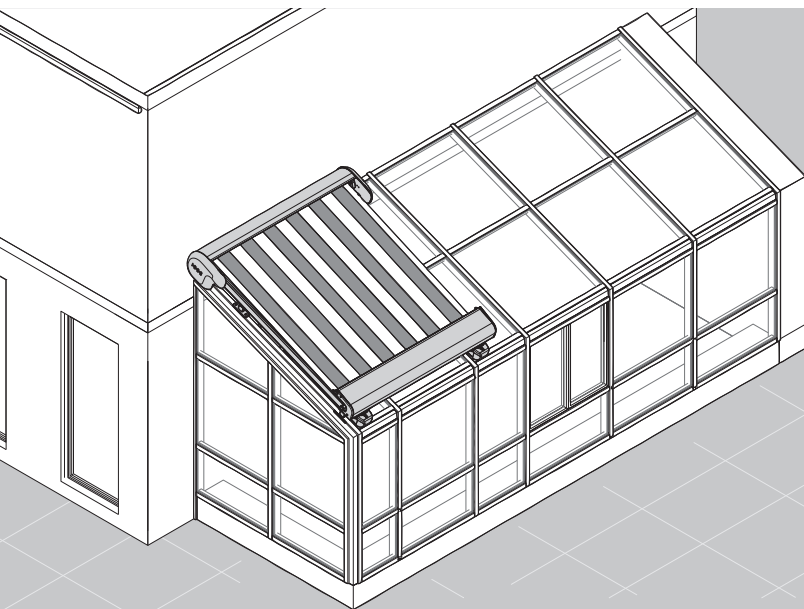
Operating instructions

Conservatory shading

AIROMATIC PS4500 | TARGA PS6000

Pergola

PERGOLINO P3500



Read the operating instructions before starting
any work!

Keep for future use!

STOBAG North America Corporation
1445 Norjohn Ct Burlington
ON L7L 0E6 Canada
Tel. +1 905 564 6111
Fax +1 905 564 3512

info.northamerica@stobag.com

Information regarding the operating instructions

These operating instructions contains important information for using the following conservatory shading and pergolas. As a general term, all models in these instructions are referred to as “shades.” Read the instructions in their entirety before operating the conservatory shades and pergolas in order to prevent potential injury or damage.

The illustrations in these operating instructions are for the purpose of general understanding and may differ from the actual design.

Models of conservatory shades and pergolas

These operating instructions are for the following conservatory shades:

- AIROMATIC PS4500
- TARGA PS6000 without extension strut

These operating instructions are for the following pergolas:

- PERGOLINO P3500

Additional documents

The following documents are applicable when using optional accessories:

- Operating instructions for the remote control
- Operating instructions for the wind sensor
- Operating instructions for the rain and sun sensor
- Operating instructions for LED lighting
- Operating instructions for side and front shading (only for pergolas)

Copyright

All contents of these operating instructions are the intellectual property of the manufacturer (STOBAG AG) and are subject to copyright protection. In case of infringement, the manufacturer reserves the right to pursue legal action.

Limitations of liability

The manufacturer assumes no liability for damages in the following cases:

- Failure to follow these instructions
- Unauthorized installation and connection
- Failure to observe wind load limits
- Unintended use
- Technical changes
- Any damage caused by the use of unsuitable cleaning agents

Customer service

STOBAG North America Corporation

1445 Norjohn Ct Burlington

ON L7L 0E6 Canada

Tel. +1 905 564 6111

info.northamerica@stobag.com

Inhalt

1 Safety	7
1.1 Intended use	7
1.2 Unintended use	7
1.3 Explanation of symbols	9
1.4 Safety instructions	10
2 Getting to know shades	13
2.1 Overview of conservatory shades	13
2.2 Overview of pergolas	15
2.3 Components of conservatory shades	17
2.4 Components of pergolas	19
2.5 Climate sensors	22
2.6 Shade operating modes	23
2.7 Key facts about fabric panels	24
3 Operating the shade	25
3.1 Operation safety instructions.....	25
3.2 Operation.....	27
3.3 Optional operating modes	30
3.4 After rain or snow	32
4 Caring for shades	33
4.1 Cleaning coated components	36
4.2 Cleaning fabric components.....	37
4.3 Cleaning the guide rails.....	38
4.4 Special types of soiling	38
4.5 Fabric coating	41

5 Maintaining shades	42
5.1 Maintenance plan.....	43
5.2 Checking that mounting brackets are firmly fastened.....	43
6 Identifying and fixing malfunctions	44
7 Disassembly and disposal	45
8 Technical data	46

1 Safety

1.1 Intended use

Conservatory shades and pergolas are used to shade glass roofs, conservatories and terrace areas. They are used exclusively for shade and protection against UV radiation, the sun, heat and light rain.

In order to reduce the risk of an electric shock, the operator must ensure that the power supply is secured with a waterproof socket or that the power supply is permanently connected to a waterproof connection box that is compliant with 314.15 of the National Electricity Code NFPA 70.

Intended use also includes compliance with all information specified in these operating instructions. Any use or other use that goes beyond the specified intended use is deemed as improper use.

1.2 Unintended use

Improper use of the conservatory shades and pergolas can lead to dangerous situations and damage.

- Do not connect, lean against, drill, glue on or attach anything to the shade or make any other technical changes to it.
- Only have it connected to the power supply by a licensed electrician and secure it with its own fuse.
- Never operate the awning against obstacles.
- Never use abrasive, corrosive or aggressive cleaning agents on any components of the shades.
- Never allow children to operate the shade unattended.
- The remote control and hook rod must be kept out of the reach of children.
- Grilling and open flames below the extended pergolas are strictly prohibited!
- Never use during a storm.

Children

The shades may be used by children aged 9 years and over and by persons with reduced physical, sensory or mental abilities or lack of experience and knowledge if they are supervised or instructed in the safe use of the shades and they understand potential hazards.

Ensure the following:

- Children must not climb on or hang from the shade at any time.
- The remote control and hook rod must be kept out of the reach of children.

1.3 Explanation of symbols

Safety instructions

Safety instructions are indicated by symbols in these operating instructions. The safety instructions are represented by signal words that express the extent of the hazard.

⚠ DANGER



This symbol and signal word combination indicates a dangerous situation that can lead to death or serious injury if not avoided.

⚠ WARNING



This symbol and signal word combination indicates a dangerous situation that can lead to death or serious injury if not avoided.

⚠ CAUTION



This symbol and signal word combination indicates a dangerous situation that can result in non-serious or minor injuries if not avoided.

NOTICE

This signal word indicates important but non safety-relevant information, e.g. on material and environmental damage.

Tips and recommendations



This symbol indicates useful tips and recommendations as well as information for efficient and smooth operation.

Safety instructions in operating instructions

Safety instructions may refer to specific individual instructions for action. Such safety instructions are embedded in the instructions for action so that they do not interrupt the flow of reading when the action is taken. The signal words described above are used.

Example:

1. **⚠ CAUTION** Risk of damaging the shade!
Only extend the fabric panel when the travel path is clear.

1.4 Safety instructions

Electrical hazards

⚠ DANGER



Risk of death due to electric current!

- Have all work or repairs on the electric system or drive systems of the shade carried out exclusively by a licensed electrician.
- In case of damage to electrical components or lines, immediately disconnect the power supply and arrange repair by a licensed electrician.
- Never bypass fuses.
- Keep moisture away from live components.

Improperly carried out work on the shade's electrical system can lead to accidents resulting in serious injuries and even death.

Static charges

WARNING



Risk of injury due to static charges on the cover!

- Always discharge possible charges from the fabric by short contact with a non-conductive material.

The fabric panel can become statically charged due to movement, low humidity or still-new cover fabric. Contact with the skin can lead to static discharges and thus possibly to consequential hazards such as falling from the ladder.

Risk of eye damage

WARNING



Risk of eye damage due to long direct eye contact with lighting!

- Do not look directly into the optional LED lighting.

Looking at switched-on lighting for a prolonged time may cause damage to the eyes.

Low temperatures

NOTICE

Risk of damaging the shade due to operation at low temperatures!

- Before each use, make sure that the conservatory shade or pergola is free of ice. If necessary, remove ice.

Operation of the conservatory shading or pergola at low temperatures below 37 °F (3 °C) and/or icing can lead to damage to the cover or the drive.

Wind load

WARNING



Risk of accident due to strong winds!

- Do not use the shades at wind speeds over 26 kn (49 km/h). At higher speeds, discontinue use.
- Retract the shade in good time.

Use of the shade at higher wind speeds can lead to accidents and damage.

Wind resistance:

The models AIROMATIC PS4500, TARGA PS6000 and PERGOLINO P3500 meet the wind resistance requirements of class 3 (26 kn) when extended.

1. In case of expected strong winds (> 26 kn/49 km/h), completely retract the fabric panels.
2. Completely retract optional side and front shades.

Wind load table

The following table provides an overview of wind strengths and their properties:

Class	Wind force (according to Beaufort)	Wind speeds (kn, km/h)	Impact
0	1 – 3	up to 10 kn (up to 19 km/h)	Leaves and thin branches move.
1	4	11 kn – 15 kn (20 km/h – 28 km/h)	Twigs and thin branches move, paper is lifted from the ground.
2	5	16 kn – 20 kn (29 km/h – 38 km/h)	Branches move. Small deciduous trees sway.
3	6	21 kn – 26 kn (39 km/h – 49 km/h)	Strong branches sway and umbrellas are hard to keep upright.
4	7	27 kn – 33 kn (50 km/h – 64 km/h)	Trees sway, strong resistance when walking against the wind.



When using an optional climate control system (e.g. wind sensor), present wind speeds are measured in real time and when a limit value is reached or exceeded, shades are automatically extended or retracted through a radio signal.

2 Getting to know shades

The shade types listed in the following are divided into conservatory shades and pergolas.

2.1 Overview of conservatory shades

Conservatory shade AIROMATIC PS4500

Conservatory shades provide shading for conservatories, glass roofs and skylights. The self-supporting, completely closed box construction is installed in an exterior, surface-mounted setup. The gas-pressure cylinder in the guide rails continuously keeps the awning fabric taut. The shade is operated electrically via a remote control. The drive is a tubular motor with automatic end stop. Optionally, the shade can be equipped with climate sensors such as sun, rain, wind and temperature sensors.

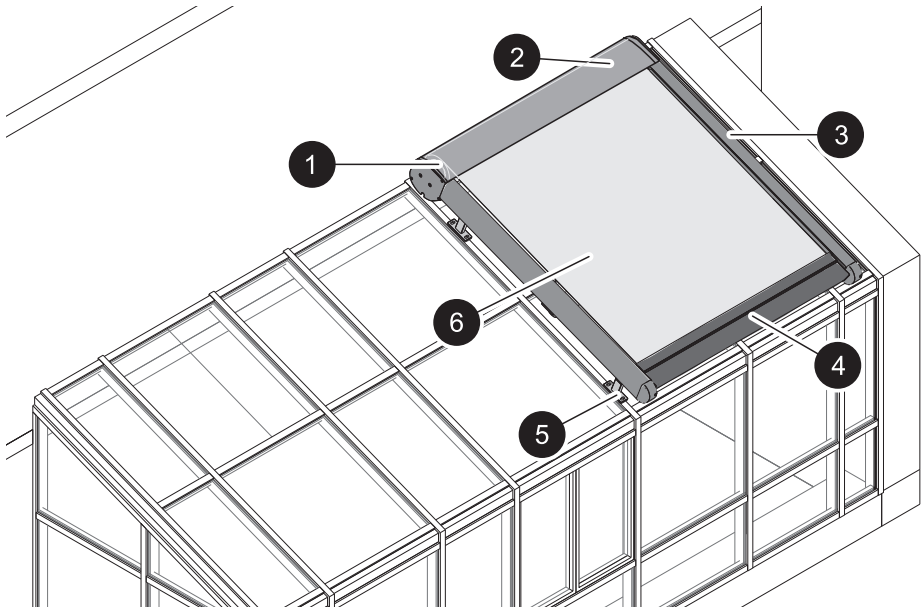


Fig. 1: Overview of conservatory shade AIROMATIC PS4500

- | | |
|--|-------------------------|
| 1 Box (closed) | 2 Drive (tubular motor) |
| 3 Guide rails (fabric guidance inside) | 4 Drop-out profile |
| 5 Installation console | 6 Fabric panel |

Conservatory shade TARGA PS6000

Conservatory shades provide shading for conservatories, glass roofs and skylights. The self-supporting, completely closed box construction is installed in an exterior, surface-mounted setup. The gas-pressure mechanism in the guide rails continuously keeps the awning fabric taut. The shade is operated electrically via a remote control. The drive is a tubular motor with automatic end stop. Optionally, the shade can be equipped with climate sensors such as sun, rain, wind and temperature sensors.

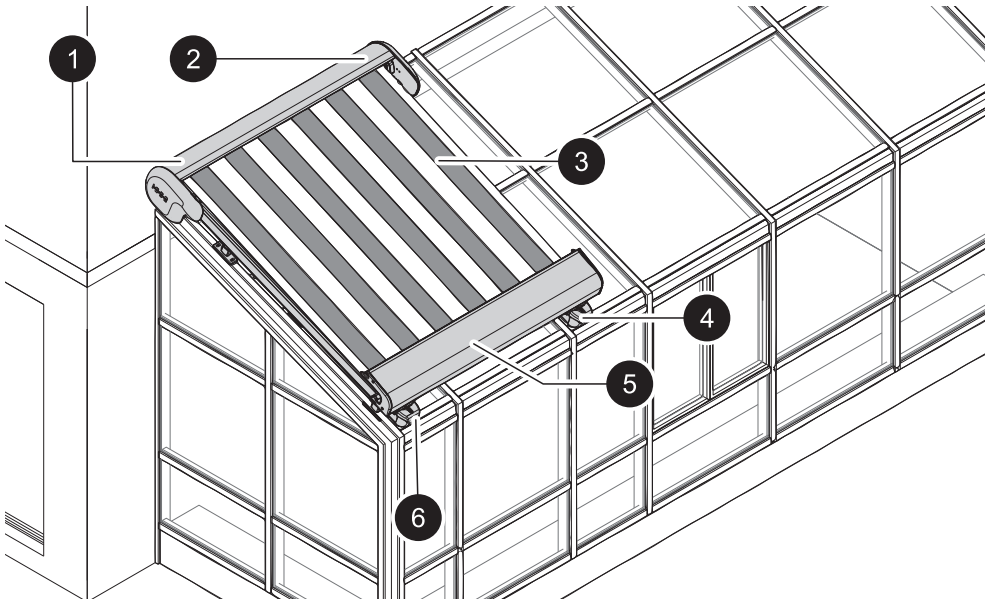


Fig. 2: Overview of conservatory shade TARGA PS6000

- | | |
|--------------------|-------------------------------------|
| 1 Box (closed) | 2 Drive (tubular motor) |
| 3 Fabric panel | 4 Guide rails (fabric guidance top) |
| 5 Drop-out profile | 6 Installation console |

2.2 Overview of pergolas

Pergola PERGOLINO P3500

This pergola provides shade for terraces and patios. The pergola is comprised of powder-coated aluminum profiles. Over a certain incline, water eyelets in the fabric panel allow rainwater to drain quickly.

The fabric stop block keeps the fabric panel taut and prevents hanging, flapping and puddle formation.

The pergola is operated electrically via a remote control. The drive with automatic end stop halts the travel of the fabric panel at the start and end positions. Optionally, the pergola can be equipped with LED lighting or climate sensors such as sun, rain, wind and temperature sensors.

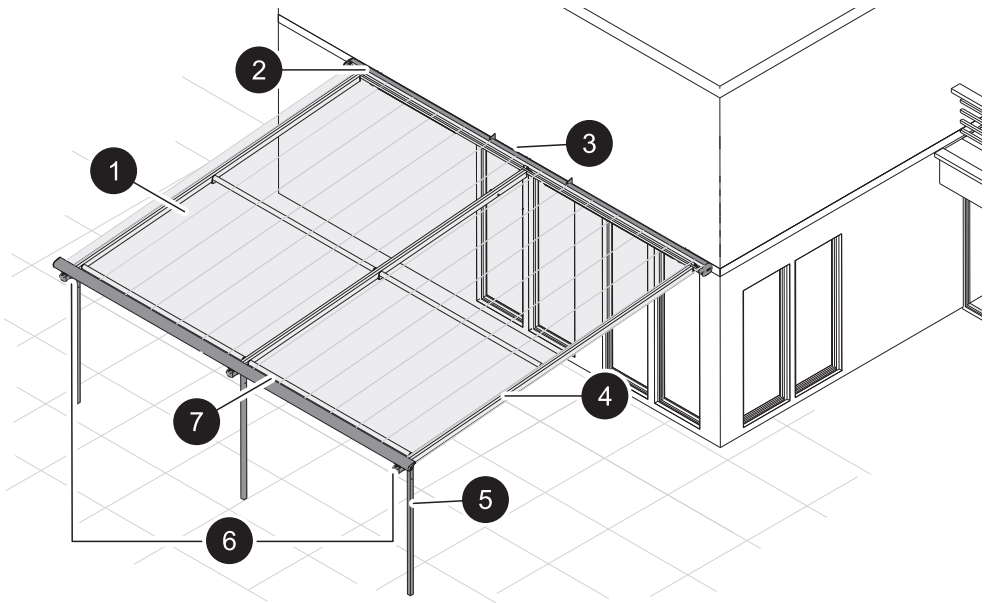


Fig. 3: Overview of pergola PERGOLINO P3500

- | | |
|---------------------|-------------------------|
| 1 Fabric panel | 2 Drive (tubular motor) |
| 3 Wall seal profile | 4 Guide rail |
| 5 Support | 6 Fabric stop block |
| 7 Drop-out profile | |

Remote control overview

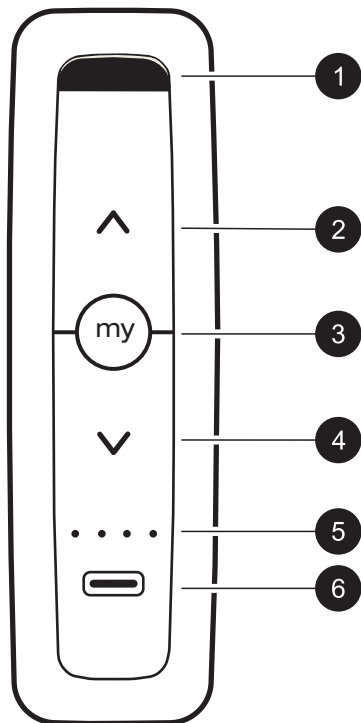


Fig. 4: Remote control

1 Handle for hanging the remote control

2 UP operating button: Retract.

3 MY Operating button: Stops the moving fabric panel. Moves the fabric panel to the programmed position.

4 DOWN operating button: Extend.

5 Channel selection diodes

6 Operating button: Channel selection button.

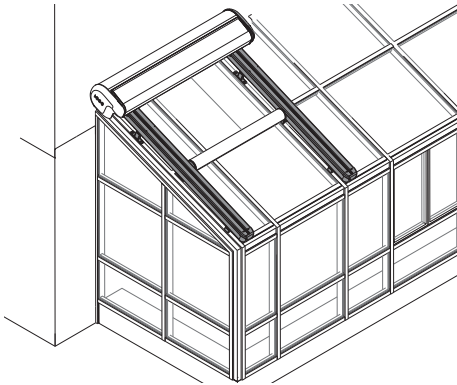
The shade is controlled using the remote control. The remote control controls up to four products (e.g. multiple shades) on the facade or multiple products in up to four groups.

For more information, see: ↗ *“Remote control operating instructions”*

2.3 Components of conservatory shades

The components of conservatory shades are described in the following.

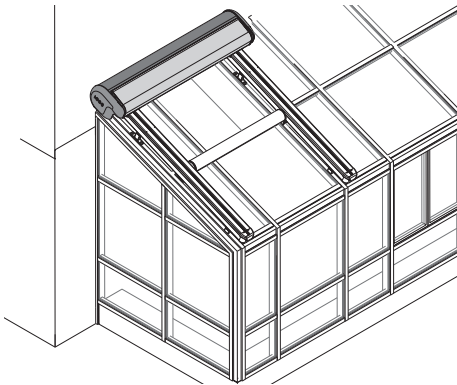
Guide rails



The guide rails (fig. 5) made of powder-coated aluminum profiles guide the fabric panel through an interior rope system. The guide runners ensure smooth and even movement of the fabric panel. A gas-pressure mechanism keeps the fabric panel taut.

Fig. 5: Guide rails

Box and drop-out profile



The box profile and drop-out profile (fig. 6) of the shade are comprised of powder-coated aluminum profiles. In a closed state, the two components form a closed box in which the fabric panel on the fabric shaft is protected against weather.

Fig. 6: Box and drop-out profile

Guide runners

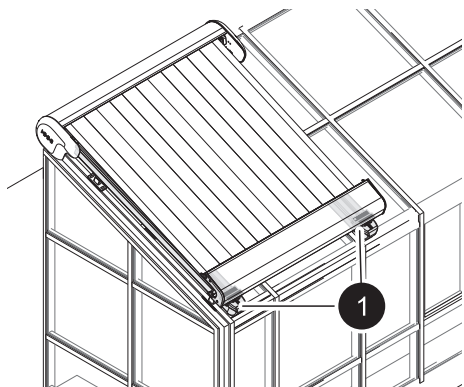


Fig. 7: Guide runners

The guide runners (fig. 7/1) are located on the guide rails and ensure the smooth, even guidance of the fabric panel.

Drive system

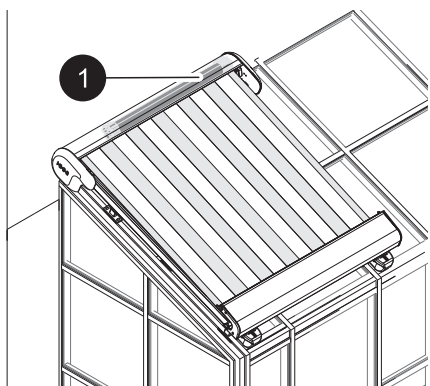


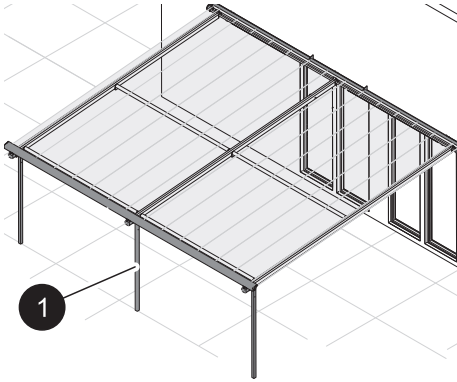
Fig. 8: Drive system

The electric motor is a tubular motor (fig. 8/1) and is located in the fabric shaft, which it drives. The drive is controlled using the remote control.

2.4 Components of pergolas

The components of pergolas are described in the following.

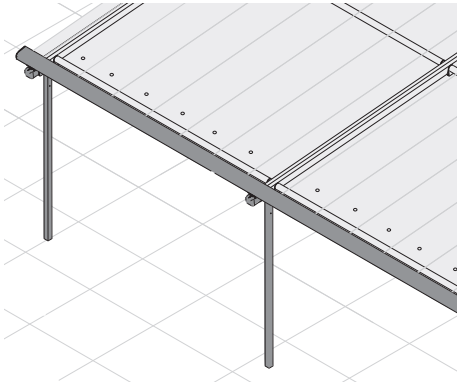
Frame



The frame (fig. 9/1) is comprised of powder-coated, lightweight aluminum profiles. The box profile is firmly anchored to the wall, while the supports are fastened to the ground with foot brackets. Depending on local conditions, the frame can also be mounted to the wall or ceiling.

Fig. 9: Frame

Water drainage



Rainwater drains from the taut fabric panel either through the water eyelets (PERGOLINO) or into the gutter on the drop-out profile.

Fig. 10: Water drainage

Drive system

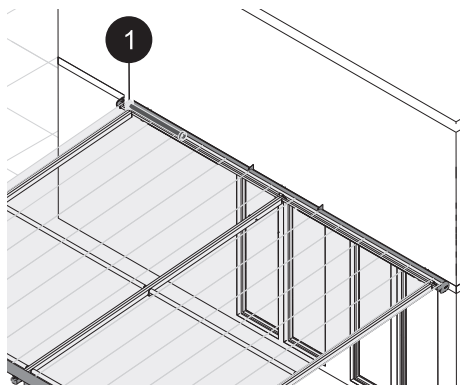


Fig. 11: Drive system

The electric motor (fig. 11/1) is a tubular motor with mechanically adjustable end points and an integrated radio antenna. The drive is controlled using a remote control.

Fabric stop block (PERGOLINO model)

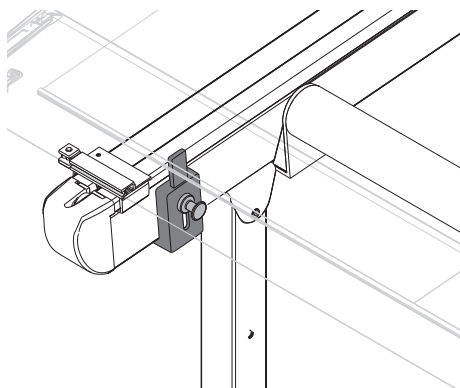


Fig. 12: Fabric stop block

The fabric stop block is located to the left and right on the front yoke of the frame. The fabric panel travels to the final position. The stop block is inserted with the hook rod and locks the extended fabric panel in place.

The fabric panel is pulled back, held by the lock function and thus tightened. This prevents the fabric panel from flapping and puddle formation in case of rain.

LED lighting (optional)

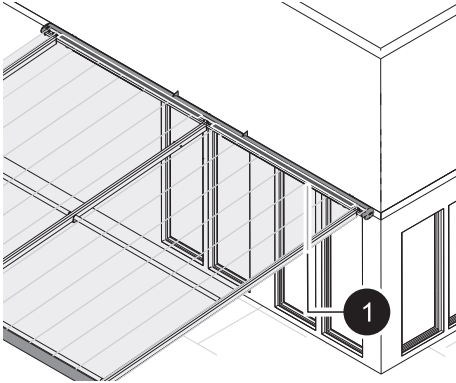


Fig. 13: LED lighting

The LED lighting (fig. 13/1) is located on the box profile and illuminated the area under the pergola. The LED light strip (warm white) is covered by a plastic reflector profile. The LED lighting is controlled by the remote control.

Side and front shades (optional)

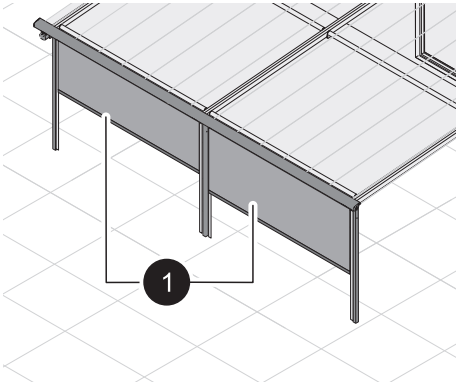


Fig. 14: Side and front shades

The optional side and front shades (fig. 14/1) are vertical awnings in a recessed or surface-mounted installation. The shades are electrically operated via the handheld remote control.

2.5 Climate sensors

Wind sensor (optional)

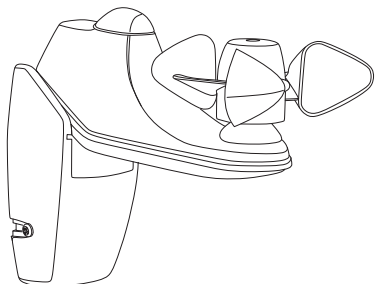


Fig. 15: Wind sensor

The wind sensor is a climate sensor with an integrated radio transmitter. The wind sensor is on or in the immediate vicinity of the shade and connected to the power supply. The wind sensor measures the wind speed in real time. If the measured value goes above or below the pre-configured limit value, the sensor transmits a radio signal to the receiver of the shade's tubular motor. The tubular motor then performs the corresponding action and retracts the fabric panel in case of high wind speeds.

Rain and sun sensor (optional)

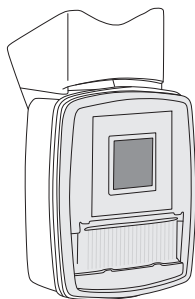


Fig. 16: Rain and sun sensor

The rain and sun sensor is a climate sensor with an integrated radio transmitter. The rain and sun sensor is mounted on or in the immediate vicinity of the shade and is solar powered.

The rain and sun sensor measures precipitation and solar radiation in real time. If the measured value goes above or below the pre-configured limit value, the sensor transmits a radio signal to the receiver of the shade's tubular motor. The tubular motor then performs the corresponding action:

- Rain: Retract fabric panel
- Sun: Extend fabric panel

2.6 Shade operating modes

Remote control

The cover track of the shade, the optional LED lighting and side and front shades are operated manually using the remote control. For more information, see ↪ *“Operating shade with the remote control” on page 27.*

Hook rod for stop block (PERGOLINO model)

The fabric panel of the pergola is locked in place manually. The hook rod is needed for this.

For more information, see ↪ *“Locking and tautening the fabric panel (only PERGOLINO model)” on page 28.*

Automated sensor control (optional)

Automated sensor control of the awning can be controlled via configured sensor measurements (sun, wind and rain). If previously set limits are reached or exceeded by the sensors, they send control commands to the drive system through radio signals.

2.7 Key facts about fabric panels

Textiles such as the fabric may have certain production- or finish-related characteristics which may be perceived as defects by the user. The appearances listed below are for the information of users.

Fold and crease wrinkles

Folds and creases are formed during the assembly and the folding of the fabrics. This can cause pigment displacement, especially with bright colors. These pigments can appear darker in the back-light and can be perceived as dirty streaks.

Rippling

Ripples in the fabric are created in the hem, seam and panel area by multiple layers and different winding thicknesses on the fabric shaft. This can cause ripple stresses (e.g. waffle-shaped or heringbone patterns).

Side panel stretching

Lengthening of the side panels can occur when rolling up the fabric panel if the seams and hems lie on top of each other, are pressed smoothly together and thus extend in length. This can cause the side fringes to hang slightly when the optional side and front shade is retracted.

3 Operating the shade

3.1 Operation safety instructions

Wind load

WARNING



Risk of accident due to strong winds!

- Do not use conservatory shades and pergolas at wind speeds over 26 kn (49 km/h). At higher speeds, discontinue use.
- Retract the fabric panel in good time.

Use of the shades at higher wind speeds than 26 kn (49 km/h) can lead to accidents and damage.

Low temperatures

NOTICE

Risk of damaging the shade due to operation at low temperatures!

- Before each use, make sure that the shade is free of ice. If necessary, remove ice.

Operation of the shading at low temperatures below 37 °F (3 °C) and/or icing can lead to damage to the cover or the drive.

Mold growth and stains

NOTICE

Risk of mold growth and mold stains and fungi if the fabric panel is retracted in a wet or damp state!

- **After rain or snow, let the fabric panel completely dry.**
- **They should not be rolled up for more than five days in a wet or damp state.**

If a wet or damp fabric panel is retracted, mold formation and stains can occur after more than five days of the wet or damp fabric being rolled up. Over time this can result in fungal growth or moss growth.

Model variants and available operating modes



Operating modes can vary depending on the shade model.

The following models can be operated fully electrically via the remote control.

- AIROMATIC PS4500
- TARGA P6000
- PERGOLINO P3500




The following model is controlled electrically via the remote control, but the fabric panel is manually locked for tautness:

- PERGOLINO P3500





3.2 Operation

Operating shade with the remote control



The operating buttons do not have a deadman switch. After pressing the UP (retract)  / DOWN (extend)  button, the fabric panel travels to the respective programmed final position. Alternatively, by pressing the MY  operating button, the fabric panel will automatically move to a pre-defined position or stop.

For more information on programming the MY  button, see the operating instructions for the remote control.

1. Ensure that the travel path of the fabric panel is clear.
2. Use the channel selection button  on the remote control to select the channel for the respective shade.
→ *The diode of the selected channel flashes red.*
3. To extend the shade fabric panel, press the DOWN  button.
→ *The fabric panel extends.*
4. To stop the moving fabric panel, press the MY  button.
→ *The fabric panel stops.*
5. Set any position for the fabric panel.
6. To retract the shade fabric panel, press the UP  button.
→ *The fabric panel retracts.*

Locking and tautening the fabric panel (only PERGOLINO model)

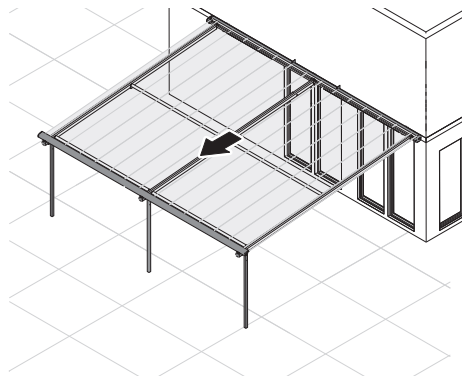



Fig. 17: Extend shade

To tauten the fabric panel, proceed as follows:

1. Ensure that the travel path of the fabric panel is clear.
2. Use the channel selection button  on the remote control to select the channel for the shade.

→ *The diode of the selected channel flashes red.*

3. Press the DOWN  button to extend the shade fabric panel.

→ *The fabric panel extends completely.*

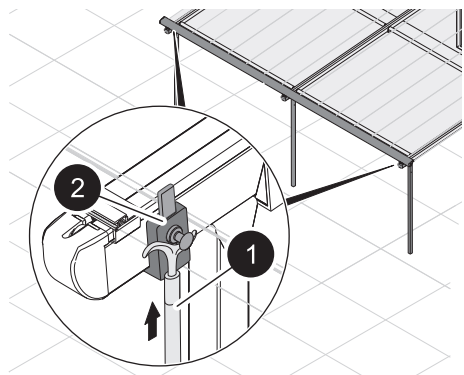


Fig. 18: Apply stop block

4. Insert the left and right stop blocks with the hook rod (fig. 18/1). Push up the fabric stop block (fig. 18/2).

5. Press the UP  button to retract the fabric panel of the shade.

→ *The fabric panel is pulled back, held by the lock function and thus tightened. When the fabric panel is taut, the motor stops.*

Slackening and retracting the fabric panel (only PERGOLINO model)

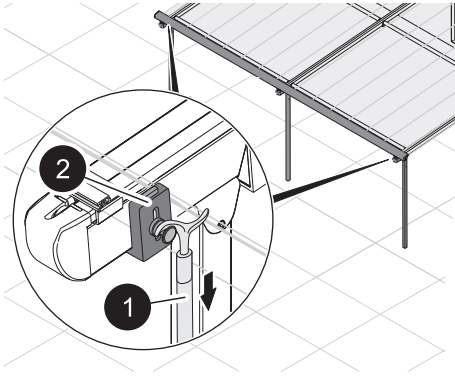


Fig. 19: Release the stop block

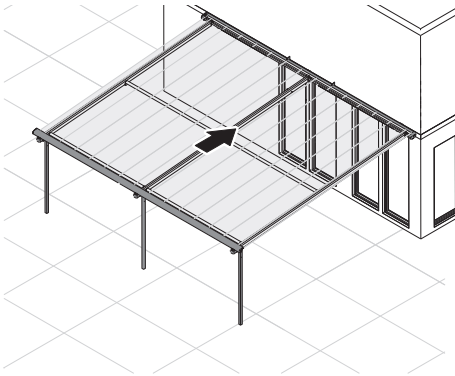


Fig. 20: Retract

To slacken and retract the fabric panel, proceed as follows:

1. Press the DOWN  button to extend the fabric panel.

→ *The taut fabric panel opens slightly and slackens the fabric panel.*

2. Release the left and right stop blocks with the hook rod (fig. 19/1). Pull the fabric stop block (fig. 19/2) downward.





→ *The fabric panel has been released from the stop block.*

3. Press the UP  button to retract the shade fabric panel.





→ *The fabric panel retracts completely.*

3.3 Optional operating modes

Operating the side and front shade (optional) via the remote control

1. Ensure that the travel path of the side and front shading is clear.
2. Use the channel selection button  on the remote control to select the channel for the respective side or front shading.
→ *The diode of the selected channel flashes red.*
3. To extend the side or front shading, press the UP  button.
→ *The shade lowers.*
4. To stop the moving shade beforehand, press the MY  button.
→ *The shade stops.*
5. Set any position for the shade.
6. To raise the shade, press the UP  button.
→ *The shade raises.*

Operating the LED lighting (optional)

1. Use the channel selection button  on the remote control to select the channel for the respective LED lighting.
→ *The diode of the selected channel flashes red.*
2. Press the UP  button to switch on the lighting.
→ *The lighting switches on.*
3. Press the MY  button to switch the lighting between the colors.
4. Press the DOWN  button to turn off the lighting.
→ *The lighting is switched off.*

Automated operation

A wide range of optional variants are available for automated activation and control via a climate sensor (sun, wind, rain and temperature sensors) or building automation with one or more shades. Information on all variants is available from the manufacturer. Operation of the respective possible variant is always described in the respective operating instructions.

NOTICE

Risk of damage to the shade due to unintended automatic travel of the fabric panel!

- **In case of a prolonged absence (holiday or weekend), completely retract the shade fabric panel and switch off automatic mode.**
- **Turn off automatic mode in winter and during stormy months.**

Unintended extension/retraction of the shade, for instance with frost/icing, can result in substantial property damage. Failure of automatic control is possible under extreme weather conditions (e.g. power outages, defects or very sudden storms).

3.4 After rain or snow

If the fabric panel is wet after a shower or snowfall, it must adequately dry. A wet or damp fabric panel may only be retracted for up to five days before it must be extended for drying.

NOTICE

Risk of mold growth and mold stains and fungi if the fabric panel is retracted in a wet or damp state!

- **After rain or snow, completely extend the fabric panel for drying.**
- **They should not be rolled up for more than five days in a wet or damp state.**

If a wet or damp fabric panel is retracted, mold formation and stains can occur after more than five days of the wet or damp fabric being rolled up. Over time this can result in fungal growth or moss growth.

4 Caring for shades

Proper, regular maintenance of shades as well as the use of original spare parts are essential for trouble-free operation and a long service life. The manufacturer recommends quarterly cleaning.

Unwanted automatic movement of shades

WARNING



Risk of injury due to unintentional automatic operation!

- Before all work on shades, always switch off the power using the fuse.
- Secure the fuse box against unauthorized insertion of fuses.

An optionally installed climate system (e.g. wind or rain and sun sensor) can cause the fabric panel to move automatically, which can lead to accidents resulting in serious injuries.

Falling

WARNING



Risk of accident due to elevated work!

- Before working on ladders and/or platforms, make sure that the ground is suitable, firm and stable.
- Never use chairs or tables as climbing aids.
- When working on ladders, always have them secured by another person.
- Ensure that ladders or platforms are completely intact and are of sufficiently elevated.
- Do not lean far out from an elevated position (ladder), turn on the ladder or climb onto facade elements or window sills.
- Never climb on top of the conservatory.
- Wear non-slip shoes.

Careless work on ladders or platforms can result in falls leading to severe injuries.

Static charges

⚠ WARNING



Risk of injury due to static charges on the cover!

- **Always discharge possible charges from the fabric panel by short contact with a non-conductive material.**

The fabric panel can become statically charged due to movement, low humidity or still-new cover fabric. Contact with the skin can lead to static discharges and thus possibly to consequential hazards such as falling from the ladder.

Improper cleaning

NOTICE

Property damage due to improper cleaning!

- **Do not use a high-pressure cleaner for cleaning.**
- **Do not use abrasive detergents or abrasive sponges.**
- **Do not use corrosive or flammable detergents.**
- **Do not use solvents such as alcohol or gasoline.**
- **During cleaning, never hold onto frame parts or fabric panels.**

Improper cleaning can cause considerable damage to shades.

Mold growth and stains

NOTICE

Risk of mold growth and mold stains and fungi if the fabric panel is retracted in a wet or damp state!

- **Allow the fabric panel to dry completely after wet cleaning.**
- **They should not be rolled up for more than five days in a wet or damp state.**

If a wet or damp fabric panel is retracted, mold formation and stains can occur after more than five days of the wet or damp fabric being rolled up. Over time this can result in fungal growth or moss growth.

Environmental protection

NOTICE

For the sake of the environment, use only water-soluble and environmentally friendly detergents. Always observe the manufacturer's specifications.

4.1 Cleaning coated components

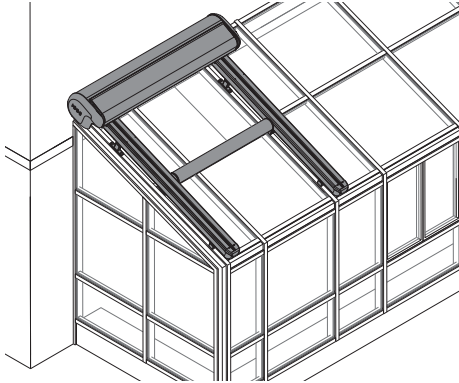


Fig. 21: Clean coated components

In order to remove general soiling from all coated components, proceed as follows:

1. Retract fabric panel ↪ “3.2 Operation” on page 27.
2. Switch off the fuse for the shade and thereby cut its power. Secure the fuse against unauthorized switching on.
3. Sweep or blow off loose dirt.
4. Moisten the box, guide rails and frame with clean water from a garden hose.
5. Clean or soak surfaces with warm water and mild, non-abrasive, environmentally friendly surface cleaner and a soft cloth.
6. If necessary, wash off dissolved soiling with clean water and rinse off cleaning agent completely.

4.2 Cleaning fabric components

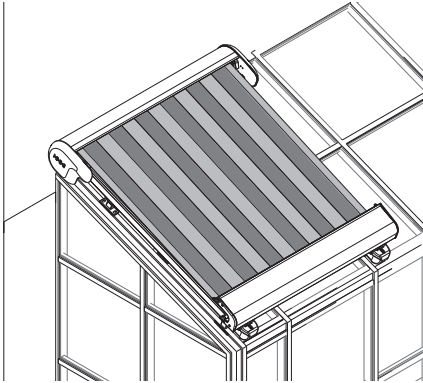


Fig. 22: Cleaning fabric components

In order to remove general soiling of the fabric panel, proceed as follows:

1. Completely extend the fabric panel ↪ “3.2 Operation” on page 27.
2. Switch off the fuse for the shade and thereby cut its power. Secure the fuse against unauthorized switching on.
3. Carefully sweep or blow off loose, clinging dirt.
4. Erase any small stains with a colorless eraser.
5. Use a garden hose to moisten the awning fabric panel with clean water.
6. Carefully clean any soiling with mild soapy water using a soft brush or sponge.
7. If necessary, let the soapy water soak in a bit.
8. Wash off dissolved dirt with clean water and rinse off cleaning agent completely.
9. If necessary, repeat the cleaning process.
10. Let the fabric panel completely dry before retracting.

4.3 Cleaning the guide rails

Depending on the model, conservatory shades have top or interior guide rails. Cleaning is always the same.

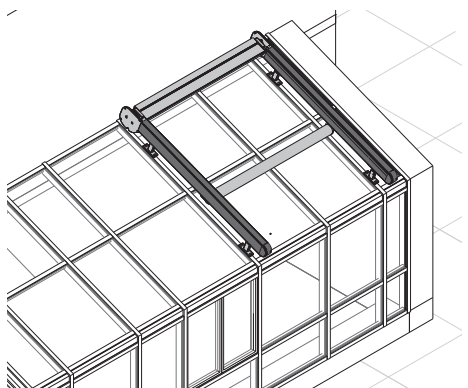


Fig. 23: Clean the guide rails

To clean guide rails, proceed as follows:

1. Completely retract the fabric panel ↪ “3.2 Operation” on page 27.
2. Switch off the fuse for the shade and thereby cut its power. Secure the fuse against unauthorized switching on.
3. Remove loose leaves, twigs and similar
4. Brush out or vacuum the guide rails and guide carriages (fig. 23).
5. Clean them with a moist sponge or soft brush.

4.4 Special types of soiling

The following are types of soiling that require special cleaning instructions.

Pollen

NOTICE

Never remove pollen by rubbing. This can lead to stains and/or discoloration.

1. Blow off, sweep or wipe pollen from all coated components.
2. Completely extend the fabric panel. ↪ “3.2 Operation” on page 27.
3. Switch off the fuse for the shade and thereby cut its power. Secure the fuse against unauthorized switching on.
4. Vacuum the pollen from all parts of the fabric with a vacuum cleaner with a upholstery brush attachment or carefully lift it with adhesive tape.

Bird droppings (fresh)

NOTICE

Bird droppings in conjunction with UV radiation cause burns, damage coated surfaces and discolor fabric parts.

1. Completely extend the fabric panel ↪ *“3.2 Operation” on page 27.*
2. Switch off the fuse for the shade and thereby cut its power. Secure the fuse against unauthorized switching on.
3. Immediately pick up fresh bird droppings with a damp cloth.
4. Clean residues as usual ↪ *“4 Caring for shades” on page 33.*

Bird droppings (dried)

Dried bird droppings are difficult to remove. In order not to damage the shade and its surfaces, proceed as follows:

1. Completely extend the fabric panel ↪ *“3.2 Operation” on page 27.*
2. Switch off the fuse for the shade and thereby cut its power. Secure the fuse against unauthorized switching on.
3. Carefully scrape off dried droppings.
4. Soak absorbent paper or cloth in warm water, place on the soiled area and leave to soak.
5. Pick up dissolved bird droppings with a soft cloth and wipe dry.
6. Clean residues as usual
↪ *“4 Caring for shades” on page 33.*

Mold and mold stains

NOTICE

Mold and mold stains can spread and lead to moss and fungal growth.

1. Completely extend the fabric panel ↪ *“3.2 Operation” on page 27.*
2. Switch off the fuse for the shade and thereby cut its power. Secure the fuse against unauthorized switching on.
3. Wear protective gloves and goggles, if appropriate.
4. Prepare a cleaning mixture of vinegar and warm water with a 2: 1 ratio and put it in an ordinary spray bottle.
5. Spray the vinegar mixture onto the affected areas.
6. Let it soak in briefly and then rub it in with a cleaning rag.
7. Wipe down wet with a second cleaning rag.
8. Repeat the procedure multiple times as necessary.

Tree resin

NOTICE

Risk of damage due to removal of tree resin!

- **Proceed very carefully with all cleaning agents.**
- **Use only solvent-free detergents.**
- **Test the detergent in an inconspicuous place beforehand.**
- **Always observe and follow the manufacturer's specifications.**

Tree resin is not water soluble and requires sharp, alkaline detergents that cause permanent damage to fabrics or coated surfaces.

4.5 Fabric coating

The fabric panel has a protective coating. This makes cleaning the fabric easier because the protective layer keeps soiling from penetrating. The coating can lose its protective effect after five to ten years, however.

The fabric panel can be coated after this period. Due to the variety of coating products and materials, the manufacturer does not recommend a particular product. In choosing a product, it is important to ensure that it is compatible with the particular fabric.

You can either handle it yourself or contact the manufacturer for referral to a retailer for fabric replacement.

Environmental protection

NOTICE

For the sake of the environment, use only water-soluble and environmentally coating products. Always observe the manufacturer's specifications.

5 Maintaining shades

Safety instructions for maintenance

WARNING



Risk of injury due to improperly carried out maintenance work!

- Before all work, shut down the shading and disconnect it from the power supply.
- When working on ladders, always have them secured by another person.
- Do not lean far out from an elevated position (ladder), turn on the ladder or climb onto facade elements or window sills.
- Never climb on top of the conservatory.
- Wear non-slip shoes.
- After completing maintenance work, remove all tools and aids.

Careless work on ladders or platforms can result in falls leading to severe injuries.

NOTICE

Risk of damage due to non-compliance with maintenance intervals!

- Perform cleaning and testing according to interval.
- Have all repair work carried out exclusively by a specialist company.

Failure to maintain maintenance intervals can lead to increased wear and thus damage.

5.1 Maintenance plan

Interval	Work
After inclement weather events like storms, extremely strong winds, heavy snowfall or hail	Check the entire awning for damage such as tears, breakage or similar and service as necessary.
Every 3 months (or as needed)	Clean. ↪ <i>“4 Caring for shades” on page 33.</i>
every 6 months	Visually inspect the fabric panel and optional side and front shade for wear, have replaced as necessary.
	Perform a general function check, repair the shading as necessary.
annually	Check that the service flaps are present and correctly positioned.
	Check that mounting brackets are firmly fastened. ↪ <i>“5.3 Checking that mounting brackets are firmly fastened” on page 43.</i>
	Check the battery of the remote control ↪ <i>“Remote control operating instructions.”</i>

5.2 Checking that mounting brackets are firmly fastened

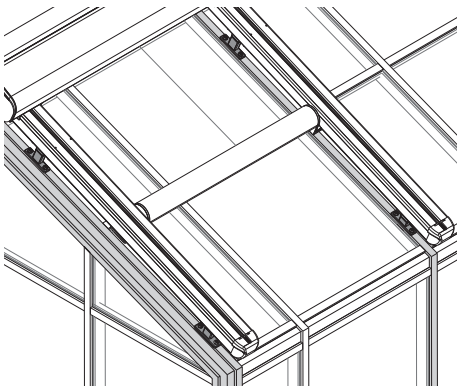


Fig. 24: Check screw connections

1. Check the mounting brackets on the conservatory. The brackets must be flat against the base surface.
2. Tighten screws as necessary.

6 Identifying and fixing malfunctions

Error Description	Cause	Cause/solution
The fabric panel doesn't move	Battery in the remote control empty	Change battery ↳ <i>"Remote control operating instructions."</i>
	Wrong channel selected on remote control	Select the corresponding channel with channel selection button.
	Power supply disrupted	Have malfunction rectified by licensed electrician.
	Drive defective	Have drive replaced by personnel authorized by the manufacturer.
Fabric panel sputters when moving	Fabric panel twisted	Have repair carried out by manufacturer-authorized personnel.
Loud drive noises	Gear soiled or motor defective	Have repair carried out by manufacturer-authorized personnel.
End positions are not reached	Fabric panel twisted	Have repair carried out by manufacturer-authorized personnel.
Fabric panel stops during travel to end position	Gear soiled or motor defective	Have repair carried out by manufacturer-authorized personnel.
Motor not running	Defective motor	Replace motor by authorized personnel of the manufacturer.
	Thermal protection triggered	Wait 20 minutes, until thermal protection is inactive.
The fabric panel doesn't retract (only model PERGOLINO)	The fabric panel stop block is still in place	Release the fabric panel stop blocks on both sides ↳ <i>"Slackening and retracting the fabric panel (only PERGOLINO model)" on page 29.</i>
Water backup/puddles	Fabric panel not taut (PERGOLINO model)	Tighten fabric panel. ↳ <i>"Locking and tautening the fabric panel (only PERGOLINO model)" on page 28</i>

7 Disassembly and disposal

Improper disassembly

⚠ WARNING



Risk of injury due to improper disassembly!

- Disassembly work may only be carried out by personnel authorized and commissioned by the manufacturer.

Improper disassembly increases the risk of injury due to high, bulky and heavy components.

Disposal

NOTICE

Danger to the environment due to improper disposal!

- Collect plastics, metals, cables, batteries, awning fabrics, glass as well as electrical and electronic components separately.
- Collect plastics, metals, cables, batteries, awning materials, glass and electrical and electronic components and recycle them in accordance with local regulations.
- In case of doubt, obtain information from the local authorities or special disposal companies.

Batteries

NOTICE

Environmental hazard due to improper disposal of batteries!

- Dispose of batteries only in accordance with national regulations.

In case of doubt, obtain information from the local authorities or special disposal companies.

8 Technical data

Data for electric drive

Awning	Voltage	Current consumption	Power consumption	Protection class	Continuous operation, motor
AIROMATIC					
PS4500	120 V/60 Hz	2.5/3.5 A	300/400 W	IP44	4 min.
TARGA					
PS6000	120 V/60 Hz	2.5/3.5 A	300/400 W	IP44	4 min.
PERGOLINO					
P3500	120 V/60 Hz	2.5/3.5 A	300/400 W	IP44	4 min.

Data for remote control

Display	Value
Protection type	IP44
Battery	3 V (type CR 2430)
Channels	5
Frequency	433.42 MHz

Dimensions

Shading	Width, min./max.	Length/extension, min./max.	Support height
TARGA			
PS6000	39.4/275" (1000/7000 mm)	43.4/275" (1100/7000 mm)	–
AIROMATIC			
PS4500	35.5/157.5" (900/4000 mm)	33.5/157.5" (850/4000 mm)	–
PERGOLINO			
P3500	79/275" (2000/7000 mm)	79/157.5" (2000/4000 mm)	118" (3000 mm)

Data for optional lighting

Display	LED white
Voltage	24 V
Color temperature	3500 K
Power	8 W/m
Number of LED	116 1/m
Service life	50000 h

