

STOBAG

UNIVERSAL

Compact vertical awning
with round protective box.



UNIVERSAL US3510 | US3910



Wire rope guides



Rod guides



Guide rails

- Compact box system with a rounded protective box, optionally also available without a box
- Mounting options on to the wall, below the ceiling or in the soffit
- Various guide systems: Wire rope, rods or aluminium profile
- Elegant system for use before glass fronts or roofed terraces
- Manual operation through the wall possible using gear unit/joint plate
- Coupling options for max. 3 units

US3510



min. 40 cm
max. 400 cm



min. 40 cm
max. 250 cm



US3910



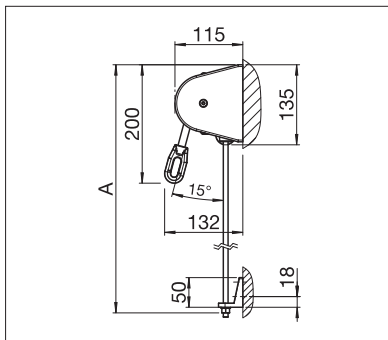
min. 40 cm
max. 450 cm



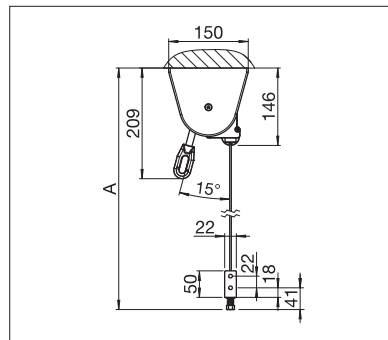
min. 40 cm
max. 400 cm*

*with cable/rod design to max. 300 cm high

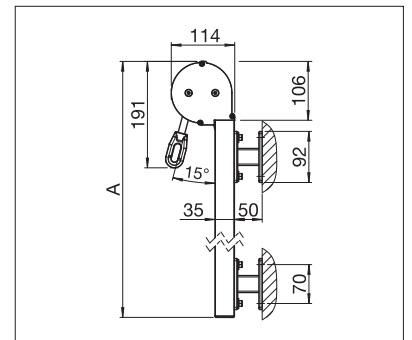
Technical dimensions in millimetres



US3510 Wall installation



US3910 Top installation



US3910 Offset wall mounting



REGISTRATION
REQUIRED



COLORS

Discover the diverse options when selecting frame colours.



FABRICS

Choose from a comprehensive range of materials and colours.



ELECTRICS

More convenience thanks to the automated control and lighting systems.

More information at www.stobag.com