

STOBAG

TARGA

Flexible use – for large and special conservatory shapes.



TARGA PS6000 | PS6100 PLUS



Self-supporting boxes



Adjustable guide rails



PS6100 Extending projection

- Self-supporting box construction
- Continuous protection up to 7 m in width
- Gas cylinder mechanism ensures perfect tensioning of the cover
- Can be closed at the sides making it aesthetically pleasing
- Cable / plug built into the side cover
- Different types of fixing brackets allow easy and flexible installation on the conservatory
- Guide rails are arranged flexibly and can be moved inwards up to 100 cm
- Patented extension mechanism: Additional extending projection up to a maximum of 140 cm for optimum vertical front shading (PS6100)

PS6000



min. 100 cm
max. 700 cm



min. 110 cm
max. 700 cm



PS6100 PLUS



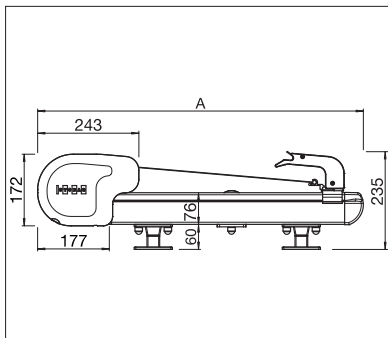
min. 100 cm
max. 700 cm



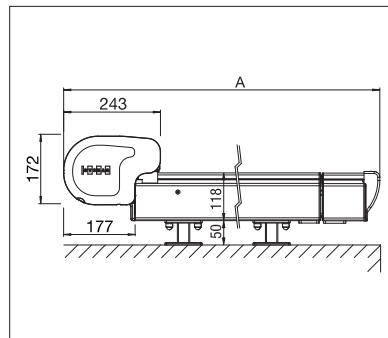
min. 185 cm
max. 700 cm



Technical dimensions in millimetres



PS6000 Side view



PS6100 Side view



EN 13561



REGISTRATION
REQUIRED



COLORS

Discover the diverse options when selecting frame colours.



FABRICS

Choose from a comprehensive range of materials and colours.



ELECTRICS

More convenience thanks to the automated control and lighting systems.

More information at www.stobag.com