

S T O B A G

PERGOLINO

The versatile and sleek terrace shading solution for lovers of the outdoors. Come rain or shine.



PERGOLINO P3600



Variable bracket positioning






Automatic fabric lock (Stoblock)

- Very sleek construction
- High installation flexibility due to sliding brackets and guide rails
- Integrated water channel for lateral rainwater drainage
- High fabric tension due to automatic fabric locking (Stoblock)
- Can be used in the rain with appropriate inclination and a tensioned, water-repellent fabric.
- Various floor mountings of the supports (flower trough, ground sleeves, footplate)
- Large shading area possible – up to 6 m overhang

Options:

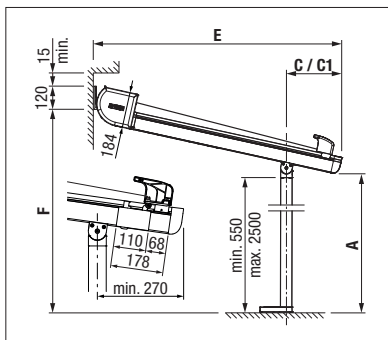
- Integrated water channel for lateral rainwater drainage
- Dimmable LED lighting (Tunable White) integrated in the guides or in the guide tube.

-  min. 100 cm
max. 700 cm*
-  min. 140 cm
max. 600 cm
-  Post height
max. 250 cm

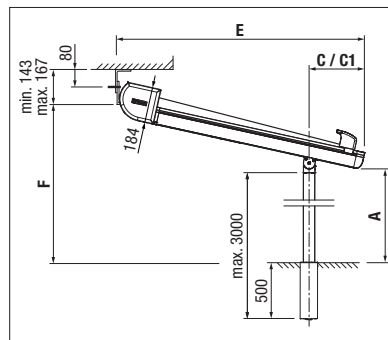
*from 601 cm with 3 guide rails



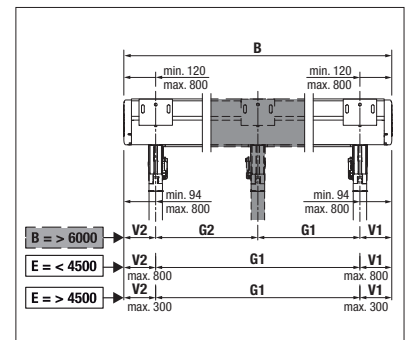
Technical dimensions in millimetres



Wall mounting with footplate



Ceiling mounting with ground sleeves



With three guides



REGISTRATION REQUIRED



EN 13561



LED lighting



Constant fabric tensioning



COLORS

Discover the diverse options when selecting frame colours.



FABRICS

Choose from a comprehensive range of materials and colours.



ELECTRICS

More convenience thanks to the automated control and lighting systems.



**STOBAG CREATES PLACES
OF RETREAT AND HARMONY
IN FAST-PACED TIMES.**