

STOBAG

UNIVERSAL

Compact vertical awning
with round protective box.



UNIVERSAL US3910



Wire rope guides

- Available without protective box
- Compact box system with round protective box
- Mounting options on to the wall, below the ceiling or in the soffit
- Elegant system for use before glass fronts or roofed terraces
- Optional deletion of cassette

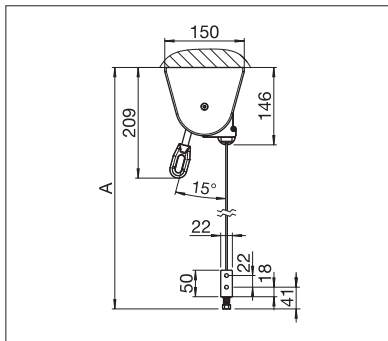
US3910

 min. 1' 4"
max. 14' 9"

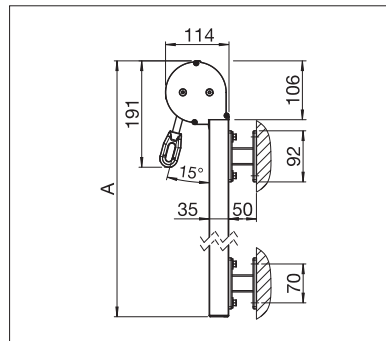
 min. 1' 4"
max. 9' 10"



Technical dimensions in millimetres (1 mm = 0.03937")



Top installation



Offset wall mounting



REGISTRATION
REQUIRED



COLORS

Discover the diverse options when selecting frame colors.



FABRICS

Choose from a comprehensive range of materials and colors.



ELECTRICS

More convenience thanks to the automated control.